



DARKBUSTER E3

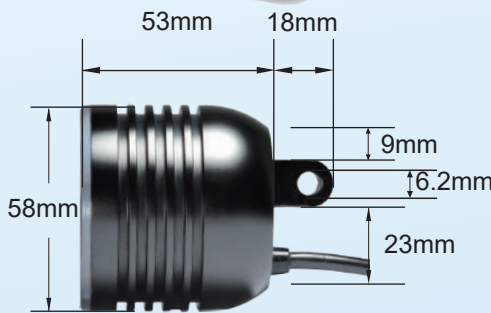
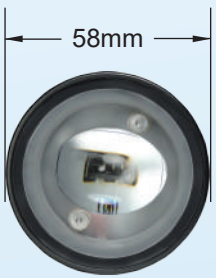


E-MARK APPROVED

R113

CLASS C

- Inside Chip : OSRAM Chip
 - Material : ALUMINUM ALLOY(CNC)
 - Passing Beam (Low) : 12W
 - LOW BEAM / DRL : 3W
 - Input Voltage : 12VDC
- Custom Voltage: 12-120VDC



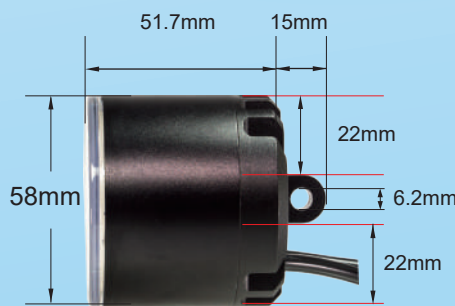
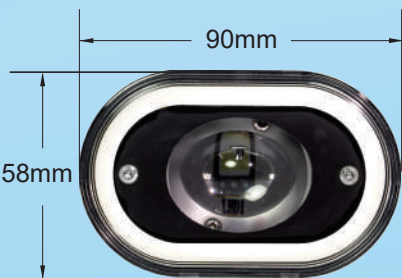
DARKBUSTER E3S



E-MARK APPROVED R113

L1e - L6e CLASS C

- Inside Chip : OSRAM Chip
 - Material : ALUMINUM ALLOY(CNC)
 - Passing Beam (Low) : 12W
 - LOW BEAM / DRL : 3W
 - Input Voltage : 12VDC
- Custom Voltage: 12-120VDC



DARKBUSTER E5



E-MARK APPROVED

R113

CLASS C

- Inside Chip : OSRAM Chip
 - Material : ALUMINUM ALLOY(CNC)
 - Passing Beam (Low) : 12W
 - Position Light : 1W
 - Input Voltage : 12VDC
- Custom Voltage: 6-120VDC

